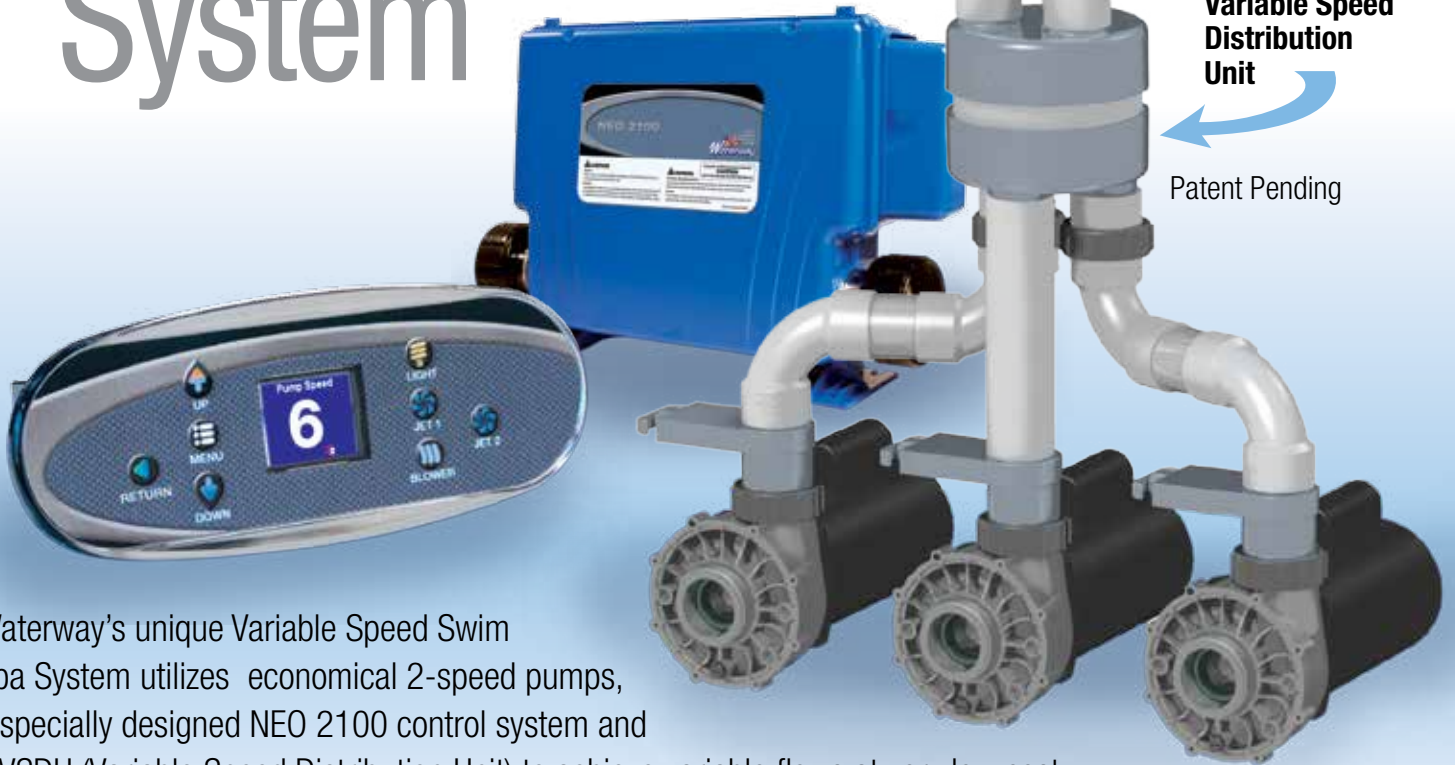




Variable Speed Swim Spa System

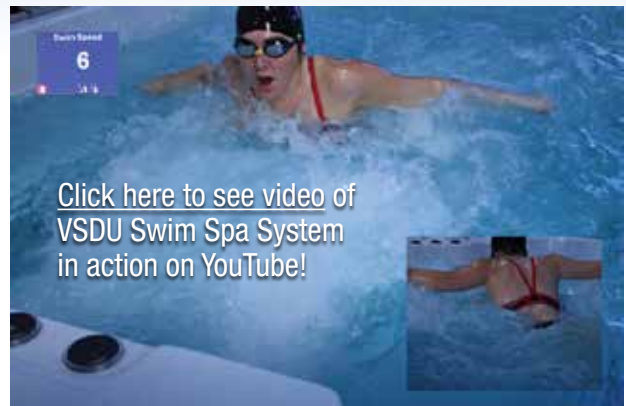


Waterway's unique Variable Speed Swim Spa System utilizes economical 2-speed pumps, a specially designed NEO 2100 control system and a VSDU (Variable Speed Distribution Unit) to achieve variable flows at very low cost.

The swimmer can now adjust all jets simultaneously, with up to 6 swim speeds, allowing for gentle low buoyancy aerobics all the way to an aggressive swim.

FEATURES:

- Achieves variable speeds ideal for swim spa use.
- Only one button required to actuate system, then use UP or DOWN arrows to adjust speeds.
- Works with either two or three Viper swim pumps.
- Control system can support one or more swim jets, and additional spa and circulation pumps.
- Doesn't require expensive variable speed pumps, additional controls and inverters to operate!



See details on reverse side. Please contact your Waterway Sales Representative for more information.

Variable Speed Swim Spa System

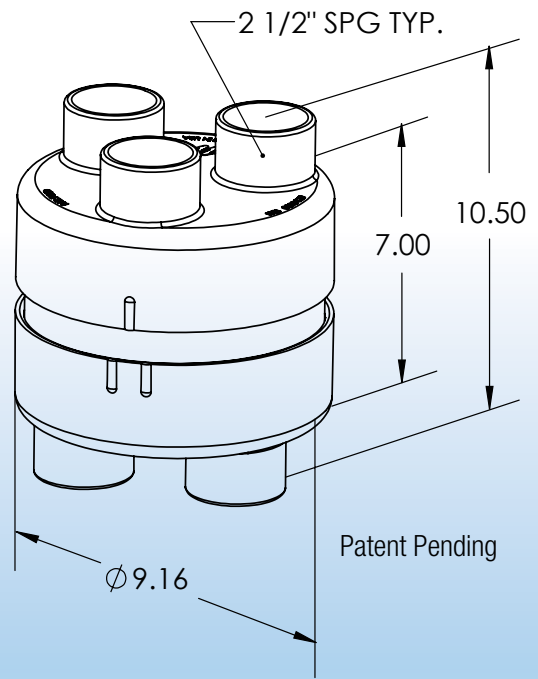
Here's how it works...

A specially designed NEO 2100 Spa Pack controls the sequence of each pump. For example: 1st Speed – Pump 1 actuates on low speed equaling roughly 140 GPM, 2nd Speed – Pump 1 & 2 actuates on Low Speed equaling roughly 250 GPM, 3rd Speed – Pump 1 actuates on High Speed equaling roughly 290 GPM and so forth (see chart below). The flow from all pumps are mixed together in the VSDU and then evenly re-distributed to each of three swim jets.

It's that simple!

Complete System is comprised of:

- Easy to use specially designed NEO 2100 control system
- Innovative 2 1/2" VSDU (Variable Speed Distribution Unit)
- Two 2 1/2" serviceable check valves
- Economical 2-speed pumps to operate



VSDU
Variable Speed
Distribution Center

2 Pump System

System Speed	Pump	Pump Speed	Flow/Jet GPM	Total System Flow
1	P1	Low	45	135
2	P1 & P2	Low	85	255
3	P1	High	95	285
4	P1 & P2	High	178	534

3 Pump System

System Speed	Pump	Pump Speed	Flow/Jet GPM	Total System Flow
1	P1	Low	45	135
2	P1 & P2	Low	85	255
3	P1	High	95	285
4	P1 + P2 + P3	Low	118	354
5	P1 & P2	High	178	534
6	P1 + P2 + P3	High	245	735

Note: Test were made with 4HP, 12 amp Viper pumps

Please contact your Waterway Sales Representative for more information.



2200 East Sturgis Road, Oxnard CA 93030
Phone 805.981.0262 • Fax 805.981.9403
www.waterwayplastics.com • waterway@waterwayplastics.com